



**Scientific Microwave**

AN ISO 9001-2008 CERTIFIED COMPANY

Manufacturers of: Microwave Passive Components  
Instruments & custom made Components etc.

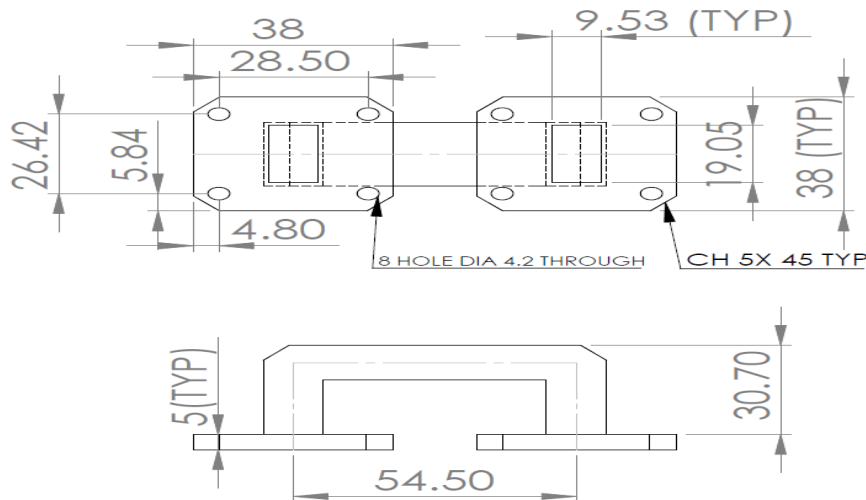
GST NO – 09AXAPS2587H1Z2

## DATA SHEET

**DESCRIPTION – KU BAND UNEQUAL U-TYPE WG BEND**

**PART NO – SM018W75EQB307**

**REF BEL PART NO –**



### ELECTRICAL SPECIFICATION –

1. FREQUENCY RANGE – 10.7 to 14.5 GHz
2. VSWR – 1.2 (Max.)
3. INSERTION LOSS – 0.15dB (Max.)
4. CROSS POLARIZATION – 35 dB (Min.)

### MECHANICAL SPECIFICATION –

1. WAVEGUIDE SIZE – WR75
2. MATERIAL – BRASS/COPPER
3. PRESSURE – 10Psi
4. FINISH – CORROSION TREATMENT

ADDRESS: - PLOT NO 31, LANE NO-4, RAJENDER NAGAR INDL AREA MOHAN NAGAR GHAZIABAD – 201007 U.P.

E-mail: - [info@smwave.com](mailto:info@smwave.com), [scientificmicrowaves@gmail.com](mailto:scientificmicrowaves@gmail.com)

**WEB SITE: - [www.smwave.com](http://www.smwave.com)**