



Scientific Microwave

AN ISO 9001-2008 CERTIFIED COMPANY

Manufacturers of: Microwave Passive Components
Instruments & custom made Components etc.

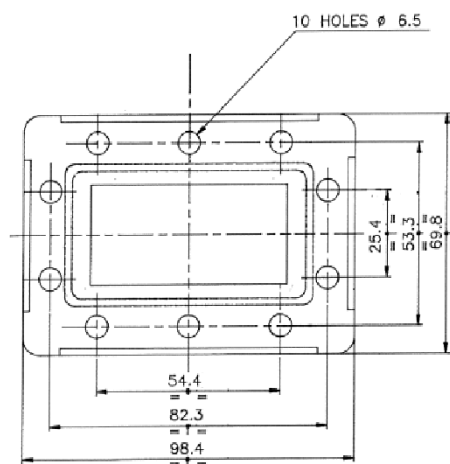
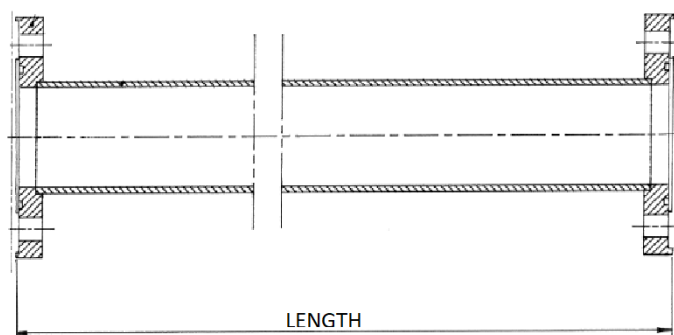
GST NO – 09AXAPS2587H1Z2

DATA SHEET

DESCRIPTION – C – BAND STRAIGHT WAVEGUIDE

PART NO – SM018W229SW150

REF BEL PART NO – 455043890319



ELECTRICAL SPECIFICATION –

1. FREQUENCY RANGE: 3.625 to 4.2 GHz
2. VSWR: 1.25 (Max.)
3. INSERTION LOSS: 0.1dB (Max.)

MECHANICAL SPECIFICATION –

1. WAVEGUIDE SIZE: WR229
2. MATERIAL : BRASS/COPPER
3. FLANGE: CPR229 (GROOVED)
4. FLANGE 2: CPR229 (FLAT)
5. LENGTH: 150mm ± 1mm
6. FINISH: CORROSION TREATMENT
7. WAVEGUIDE COLOUR: PAINTED BLACK
(OUTER SIDE)

ADDRESS: - PLOT NO 31, LANE NO-4, RAJENDER NAGAR INDL AREA MOHAN NAGAR GHAZIABAD – 201007 U.P.

E-mail: - info@smwave.com, scientificmicrowaves@gmail.com

WEB SITE: - ww.smwave.com