



Scientific Microwave

AN ISO 9001-2008 CERTIFIED COMPANY

Manufacturers of: Microwave Passive Components
Instruments & custom made Components etc.

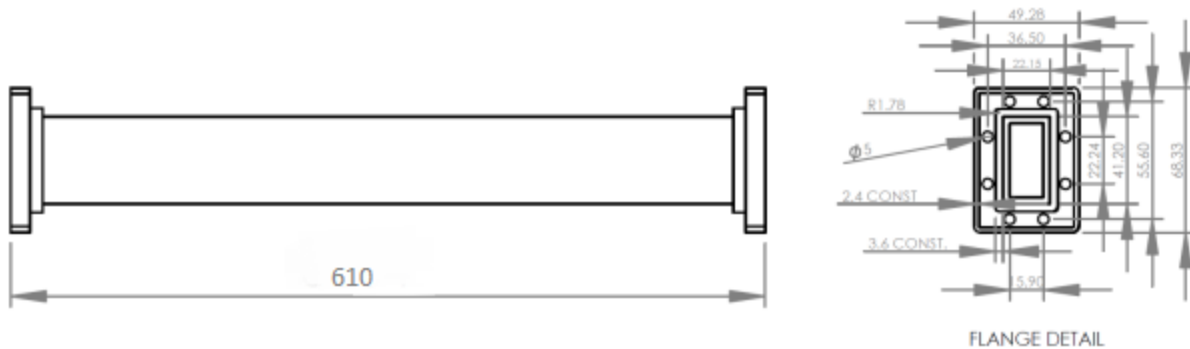
GST NO – 09AXAPS2587H1Z2

DATA SHEET

DESCRIPTION – FLEXIBLE TWISTABLE WAVEGUIDE

PART NO – SM018W137FT610

REF BEL PART NO – 455043810294



ELECTRICAL SPECIFICATION –

1. FREQUENCY RANGE – 5.85 to 8.2 GHz
2. INSERTION LOSS – 0.168 dB (Max.)

MECHANICAL SPECIFICATION –

1. WAVEGUIDE SIZE – WR137 (FLEXIBLE TWISTABLE)
2. FLANGE 1 – CPR137 (G)
3. FLANGE 2 – CPR137
4. TWIST (STATIC) – 210Deg/m (Max.)
5. E – PLANE BEND RADIUS (STATIC) – 100mm
6. H – PLANE BEND RADIUS (STATIC) – 205mm

ADDRESS: - PLOT NO 31, LANE NO-4, RAJENDER NAGAR INDL AREA MOHAN NAGAR GHAZIABAD – 201007 U.P.

E-mail: - info@smwave.com, scientificmicrowaves@gmail.com

WEB SITE: - www.smwave.com