



# Scientific Microwave

AN ISO 9001-2008 CERTIFIED COMPANY

Manufacturers of: Microwave Passive Components  
Instruments & custom made Components etc.

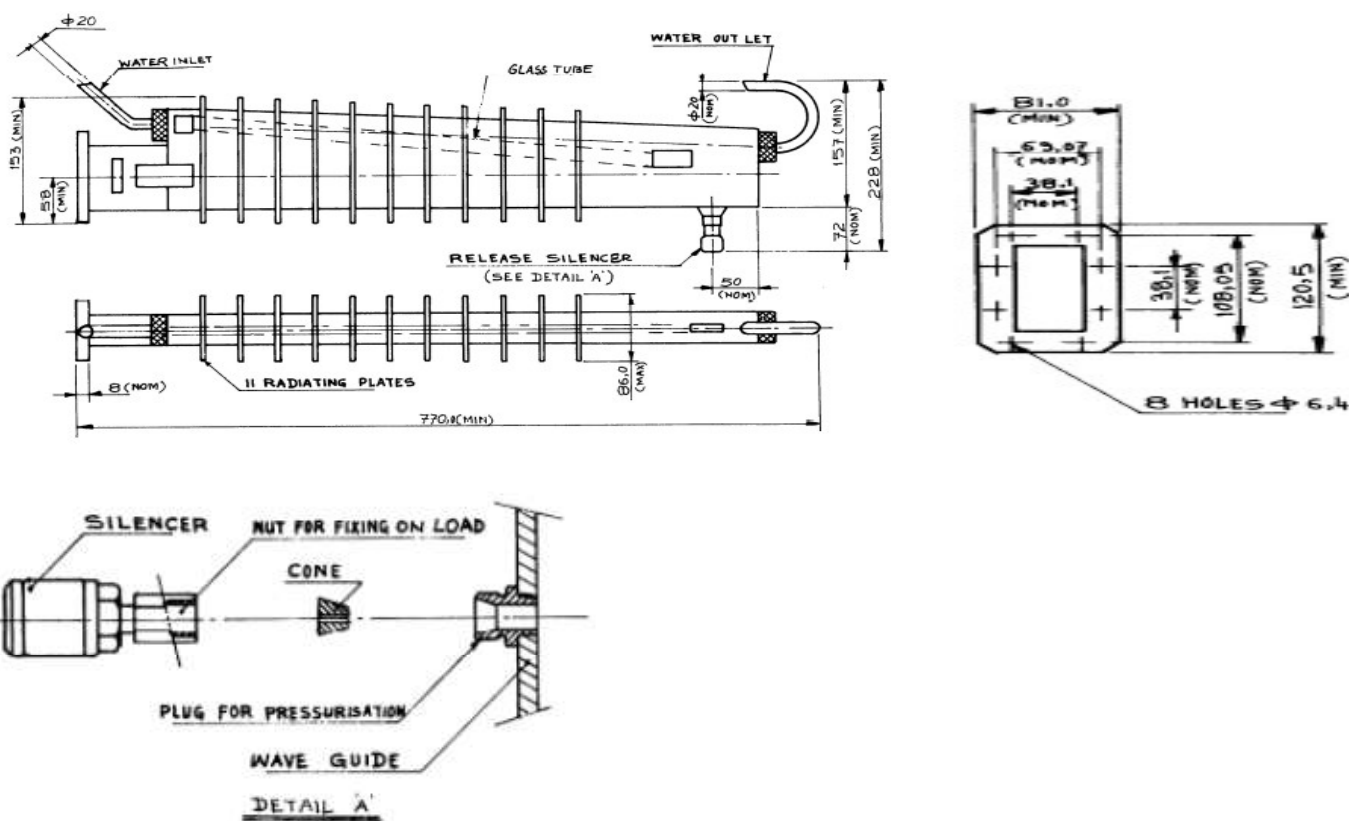
GST NO – 09AXAPS2587H1Z2

## DATA SHEET

DESCRIPTION – WATER LOAD

PART NO – SM018SWL770

REF BEL PART NO – 455540170158



| ELECTRICAL SPECIFICATION                               | MECHANICAL SPECIFICATION                           |
|--|--|
| FREQUENCY RANGE – 2.8 to 3.2 GHz                       | MATERIAL – BRASS                                   |
| VSWR (Max.) – 1.20 (WHEN WATER IS FILLED)              | PRESSURE – 12 BAR                                  |
| POWER – 35 KW AVG<br>25 MW (PEAK WITH 6 $\mu$ S PULSE) | FINISH – SILVER PLATED (INSIDE)<br>PAINT (OUTSIDE) |

ADDRESS: - PLOT NO 31, LANE NO-4, RAJENDER NAGAR INDL AREA MOHAN NAGAR GHAZIABAD – 201007 U.P.

E-mail: - [info@smwave.com](mailto:info@smwave.com), [scientificmicrowaves@gmail.com](mailto:scientificmicrowaves@gmail.com)

WEB SITE: - [www.smwave.com](http://www.smwave.com)